

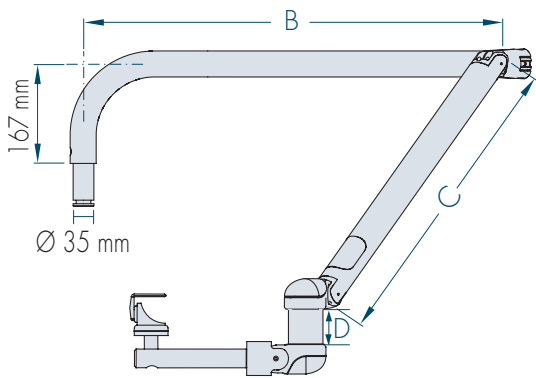
STANDARD SUPPLY

Standard supply comprises: mount, Manfrotto heads for camera and videocamera cables kit. Pole mounts, hangers, clamps and accessories to be ordered separately (see pg. 20 - 21- 22).

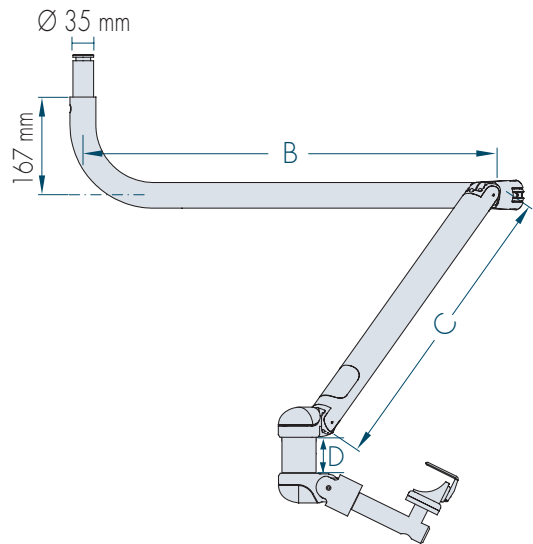
CUSTOMIZATION

- Load capacity:** specific load capacity different to the standard 2 kg available upon request.
- Cables:** customized supply available upon request.
- Colour:** customized RAL colouring available upon request.

TECHNICAL DRAWING



installation set C



installation set M

CONFIGURATIONS

Code	Description	Dimensions	Code	Dimensions	Code	Installation set	Code	Colour	
		D		B	C	C	Down bend pipe	9002	RAL 9002
AMVDDA	Digital camera mount	25 mm	2060	200 mm	600 mm	M	Up bend pipe	9003	RAL 9003
AMVddb	Digital camera mount	260 mm	4060	400 mm	600 mm			9010	RAL 9010
AMVDDC	Digital camera mount	400 mm	7260	720 mm	600 mm			RAL	Customized
AMVIDA	Analogue camera mount	25 mm							
AMVIDB	Analogue camera mount	260 mm							
AMVIDC	Analogue camera mount	400 mm							

AMVDDA + 4060 + C + 9003 = AMVDDA4060C9003



HOW TO ORDER

Specify the requested configuration by adding the single codes. **AMVDDA4060C9003** is the article to order a articulated arm with 25 mm digital camera arrangement (**AMVDDA**) - dimensions 400x600 mm (**4060**) - down bend pipe (**C**) - white 9003 RAL colour (**9003**).