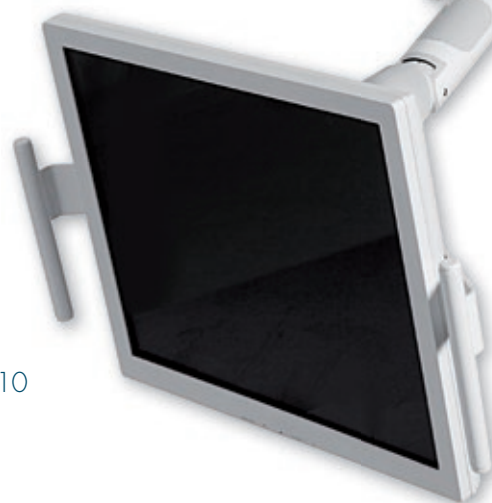
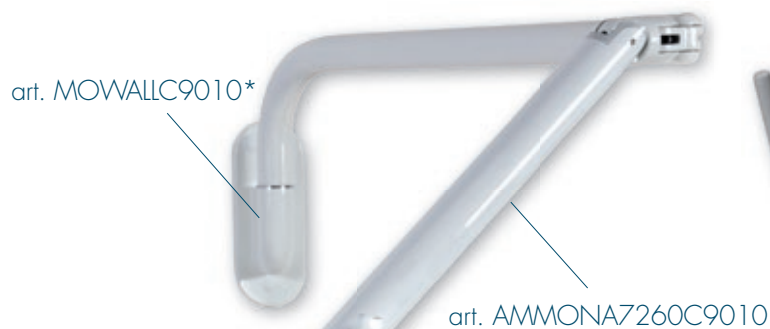
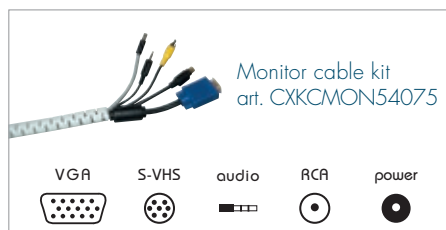


Articulated monitor mounts

ART. AMMON.....



SPECIFICATIONS

- Material:** powder painted aluminium
- Load capacity:** 6.5 kg
- Pivot:** Ø 35 mm
- Mounting plate:** Vesa 75 mm - 100 mm
- Monitor cable kit:** kit comprises of 5 cables: VGA, S-VHS, audio, RCA and power

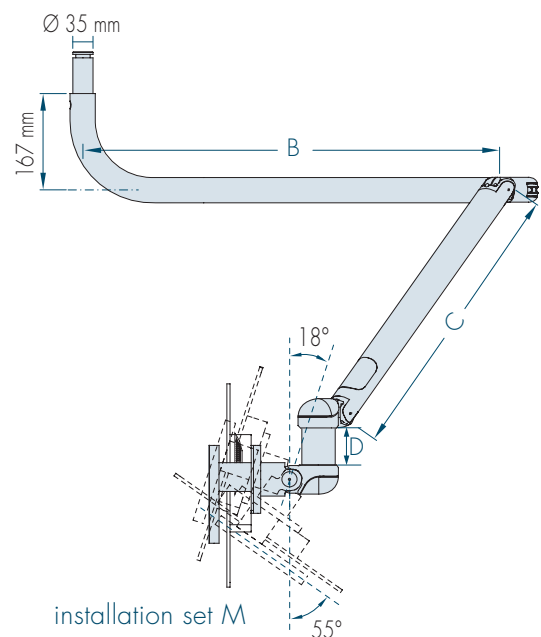
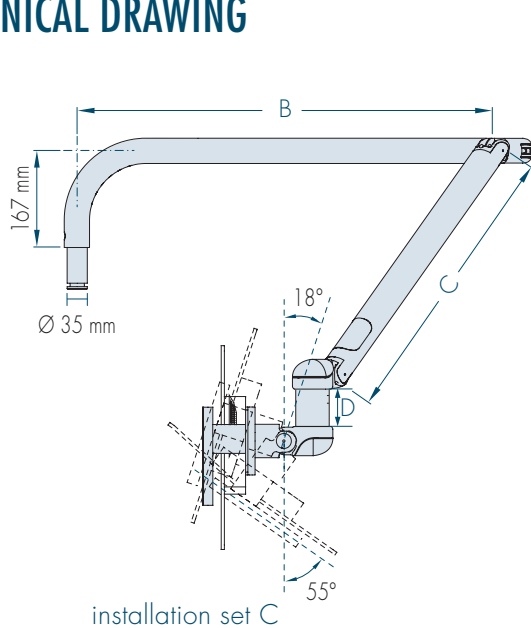
STANDARD SUPPLY

Standard supply comprises: arm, handle complete of Vesa mounting plate and monitor cable kit (VGA, S-VHS, audio, RCA and power). Pole mounts, hangers, clamps and accessories to be ordered separately (see pg. 20 - 21- 22).

CUSTOMIZATION

Load capacity: specific load capacity different to the standard 6.5 kg available upon request
Cables: customized supply available upon request.
Colour: customized RAL colouring available upon request.

TECHNICAL DRAWING



CONFIGURATIONS

Code	Description	Dimensions
		D
AMMONA	Articulated monitor mount	25 mm
AMMONB	Articulated monitor mount	260 mm
AMMONC	Articulated monitor mount	400 mm

Code	Dimensions	
	B	C
2060	200 mm	600 mm
4060	400 mm	600 mm
7260	720 mm	600 mm

Code	Installation set
C	Down bend pipe
M	Up bend pipe

Code	Colour
9002	RAL 9002
9003	RAL 9003
9010	RAL 9010
RAL	Customized

AMMONA + 7260 + M + 9010 = AMMONA7260M9010



HOW TO ORDER

Specify the requested configuration by adding the single codes. **AMMONA7260M9010** is the article to order an articulated arm with 25 mm monitor mount arrangement (**AMMONA**) - dimensions 720x600 mm (**7260**) - up bend pipe (**M**) - white 9010 RAL colour (**9010**).