

# Fixed monitor mounts

ART. FMMON.....

art. FMMON1620C9010



art. MOWALLC9010\*

art. HAENDM9010\*



art. FMMON4016M9010



## SPECIFICATIONS

- Material: powder painted aluminium
- Load capacity: 6.5 kg
- Pivot: Ø 35 mm
- Mounting plate: Vesa 75 mm - 100 mm
- Monitor cable kit: kit comprises of 5 cables: VGA, S-VHS, audio, RCA and power

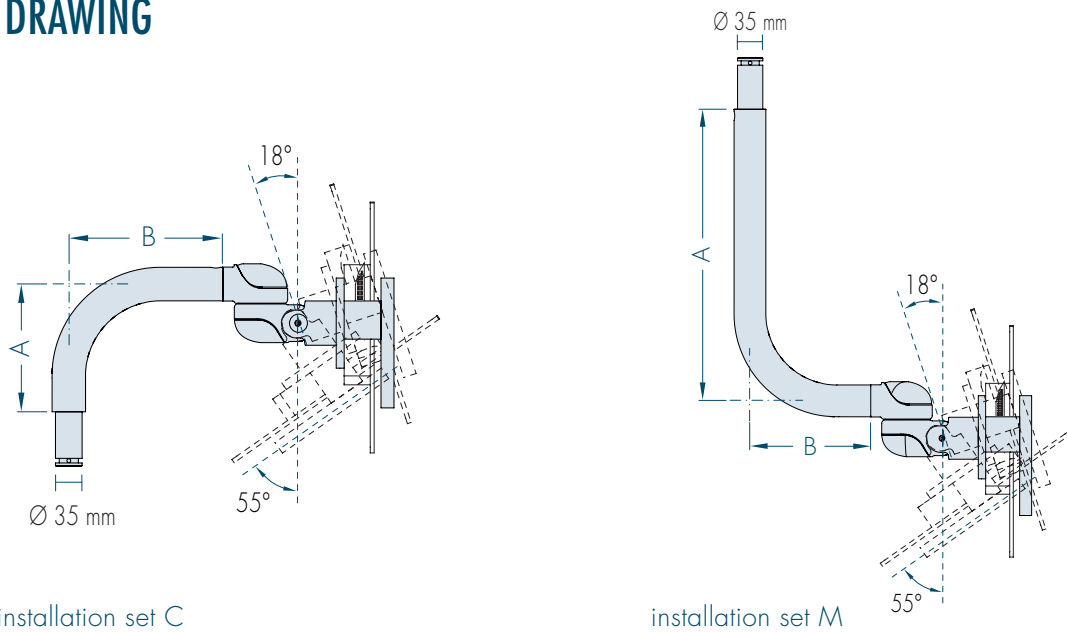
# STANDARD SUPPLY

Standard supply comprises: arm, handle complete of Vesa mounting plate and monitor cable kit (VGA, S-VHS, audio, RCA and power). Pole mounts, hangers, clamps and accessories to be ordered separately (see pg. 20 - 21- 22).

## CUSTOMIZATION

- Load capacity:** specific load capacity different to the standard 6.5 kg available upon request.
- Cables:** customized supply available upon request.
- Colour:** customized RAL colouring available upon request.

## TECHNICAL DRAWING



## CONFIGURATIONS

| Code  | Description         |
|-------|---------------------|
| FMMON | Fixed monitor mount |

| Code | Dimensions |        |
|------|------------|--------|
|      | A          | B      |
| 1620 | 167 mm     | 200 mm |
| 1640 | 167 mm     | 400 mm |
| 1660 | 167 mm     | 600 mm |
| 2016 | 200 mm     | 167 mm |
| 4016 | 400 mm     | 167 mm |

| Code | Installation set |
|------|------------------|
| C    | Down bend pipe   |
| M    | Up bend pipe     |

| Code | Colour     |
|------|------------|
| 9002 | RAL 9002   |
| 9003 | RAL 9003   |
| 9010 | RAL 9010   |
| RAL  | Customized |

FMMON

+

1620

+

C

+

9010

=

FMMON1620C9010



### HOW TO ORDER

Specify the requested configuration by adding the single codes. **FMMON1620C9010** is the article to order a fixed arm with monitor mount arrangement (**FMMON**) - dimensions 167x200 mm (**1620**) - down bend pipe (**C**) - white 9010 RAL colour (**9010**).